



AV700

WET-WET

Differential Pressure Transmitter

OVERVIEW

AV700 series is media isolated differential pressure transmitters consists of both isolation membrane differential pressure sensor and integrated circuits. It has characteristics of high precision, good stability, high reliability and good sensibility. It has built-in high-performance microprocessor (MCU) which can correct nonlinearity and compensate temperature drift to measure and control for liquid and gas.

BENEFITS

- * Low Static and Thermal Errors
- * Wide Operating Temperature Range
- * Compact Size
- * CE Approved

APPLICATIONS

- * Pressure Instrumentation
- * Water Level
- * Boiler Controls
- * Pneumatics
- * HVAC/R Systems
- * Filtration

Performance@25°C (77°F)

Accuracy*	<±0.4% typ.
Stability (1 year)	<±0.25% typ.
Pressure Range	Up to 300 PSI
Common Line Pressure	500PSI
Burst Pressure	3X Full Scale
Pressure Cycle	4 million cycles

Output	Excitation	Zero Offset	Span Tolerance
0-5V	10-28VDC	<±0.5% of FS	<±1% of FS
1-5V			
4-20mV			
0.5-4.5V Ratiometric	5VDC typ.		

Reverse Polarity Protection Yes

* Accuracy includes non-linearity, hysteresis & non-repeatability

Physical Description

Wetted Materials	316L-SS
Weight	150g
Electrical Connections	Packard

Environmental Data

Temperature	
Operating	-40 to 105°C
Storage	-40 to 125°C
Thermal Limits	
Compensated Range	-0°C to 70°C (32 to 158°F)
TC Zero	<±1.5% FS
TC Span	<±1.5% FS
Other	
Shock	100 (11mS)
Vibration	20g (20-5000HZ)
EMI/RFI Protection	YES
Rating	IP65



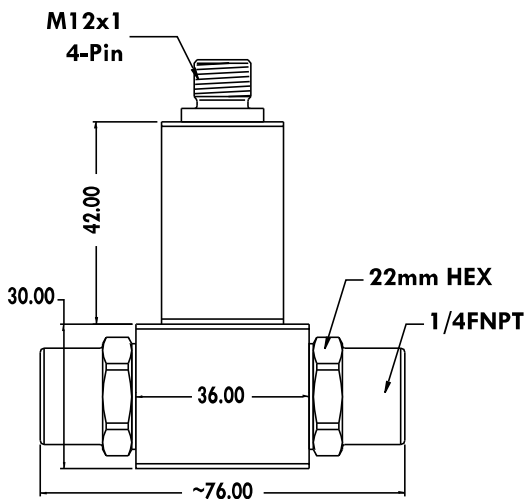
Ordering Method

For Example:-



1	Series	Code	Description	6	Wetted Material	L	316L-SS
		700					
2	Pressure Unit	Code	Description	7	Output	0	0-5V
		A	kPa			1	1-5V
3	Pressure Range	000	differential	8	Electrical Connection	C	Din43650C Connector
		0d5	0.5psid			D	Deutsch DT04-3P
		001	1psid			E	Deutsch DT04-4P
		002	2psid			P	Packard Metripack 150
		005	5psid			Q	1m Cable
		010	10psid			R	2m Cable
		030	30psid			S	3m Cable
		100	100psid			Y	M12x1 - 4P
4	Pressure Type	Code	Description	9	Options Code	Code	Description
		D	Differential			000	No Special Options (3-Digit Code)
5	Header Thread	4	1/4 MNPT			003	450 PSI Transient Pressure on Single side, Fomblin Oil Filled
		E	1/4 NPT Female				
		F	1/8 MNPT Female				
		Q	7/16-20 UNF Female				

DIMENSIONAL DATA



CONNECTOR - FRONT VIEW

