



# High Temperature Pressure Sensor

## AV40HT

### OVERVIEW

AV40HT is designed to measure pressure measurements under high environment and media temperatures. The Hastelloy C276 wetted parts offer excellent media compatibility with wide range of liquids and gases. Inorganic bonding of the sensing element offers high stability over long periods of time.

### BENEFITS

- \* One piece design
- \* No welded, No oil-filling, No O-ring
- \* Excellent accuracy
- \* Excellent long-term stability

### APPLICATIONS

- \* Semiconductor Manufacturing
- \* Power Generation
- \* High Pressure Steam
- \* Chemical Reactor
- \* Oil & Gas
- \* Down Holes

### Performance@25°C (77°F)

Accuracy\* <math>\leq \pm 0.25\% \text{ BFSL, typ.}</math>

Pressure Port	Input	Output
1/4" VCR	0-100 TO 3000PSI	10mV/V
7/16-20UNF-3A	0-100 TO 10000PSI	5mV/V (Less than 200PSI), 10mV/V

Proof Pressure	2X Rated pressure
Burst Pressure	5X or 20,000PSI (whichever is less)
Pressure Cycles	>100 Million at full pressure
Excitation	5VDC, typ.
Current Consumption	<5mA
Zero Offset	<math>\leq \pm 2\% \text{ of FS}</math>
Span Tolerance	<math>\leq \pm 2\% \text{ of FS}</math>
Isolation Voltage	500VDC

\* Accuracy includes non-linearity, hysteresis & non-repeatability

### Physical Description

Wetted Material	Hastelloy C276, One piece structure
Electrical Connection	Bendix 6-Pin Connector (PTIH-10-6P)
Pressure Port	1/4" VCR, 7/16-20UNF-3A Male w/37° Flare

### Environmental Data

#### Temperature

Operating Ambience	-40 to 200°C
Media	-55 to 200°C

#### Thermal Limits

Compensated Range	20 to 100°C
TC Zero	<math>\leq \pm 0.02\% \text{ of FS / } ^\circ\text{C typ.}</math>
TC Span	<math>\leq \pm 0.02\% \text{ of FS / } ^\circ\text{C typ.}</math>



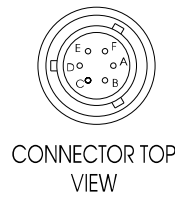
# Ordering Method



For Example:-

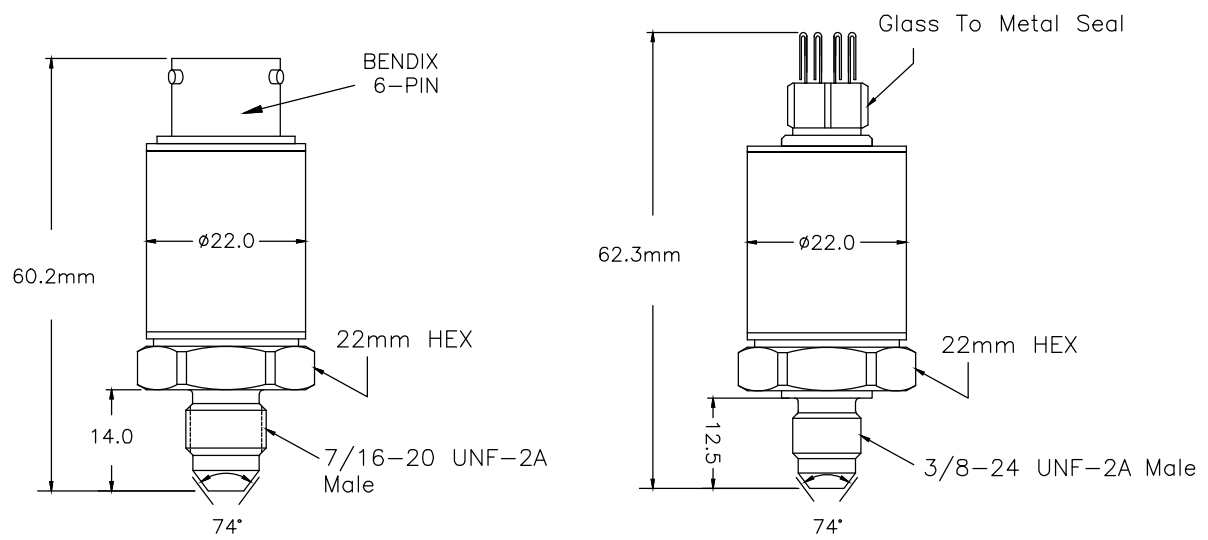


1	Series	Code	Description	6	Wetted Material	H	Hastelloy C276			
		AV40HT								
2	Pressure Unit	B	bar	7	Output	5	5mV/V			
		C	kg/cm <sup>2</sup>			9	10mV/V			
		P	PSI							
3	Pressure Range	000	Standard Pressure Range (3-Code)		8	Electrical Connection	B	Bendix Connector (6-Pin)		
		Example	0d1	0.1			9	Options Code	000	No Special Options (3-Digit Code)
			2d5	2.5						
			018	18						
			725	725						
d	Decimal Place									
4	Pressure Type	S	Sealed Gauge							
5	Header Thread	V	1/4" VCR							
		W	7/16-20 UNF Male with 37° Flare							



PIN CONFIGURATION	
Pin A	+V
Pin B	+S
Pin C	-S
Pin D	-V
Pin E	N/A
Pin F	N/A
mV Output	

## DIMENSIONAL DATA



\*Customers of Avery sensor products should make their own evaluation on the suitability of the product for their end application. Specifications are subject to change without notice\*